



## Roller Furling Genoa Measure Form

Please fill out completely to assure proper fit, contact your sail consultant with any questions.

1. I = \_\_\_\_\_

Measure from the deck (not cabin top) to the genoa sheave at the top of the mast.

J = \_\_\_\_\_

Measure from the front of the mast to the headstay pin as it will be a parallel to the waterline

### 2. Two Block Luff

Length = \_\_\_\_\_

Measured by attaching a tape measure to your halyard, then raising the halyard to the two block hoist and then measuring to the line shown in the tack and head fittings diagram.

### 3. Max Leech Length

Leech Forward = \_\_\_\_\_

Leech Aft = \_\_\_\_\_

LF is measured from the top of the halyard hoist to the forward end of the genoa track and LA to the back of the genoa track.

### 4. Spreader Height and Length

S1 = \_\_\_\_\_

S2 = \_\_\_\_\_

Spreader heights are measured from the chain plates to the spreaders. This measurement can be taken while lowering the measure tape from parts 1 and 2.

### 5. Track Location

Track Forward = \_\_\_\_\_

Track Aft = \_\_\_\_\_

TF and TA should be measured from the base of the shackle (tack) on your furler to the front and end of the genoa or jib track.

### 6. Distance to Waterline

BW = Distance from Bow to Waterline. \_\_\_\_\_

TW = Distance from Aft Tack to Waterline. \_\_\_\_\_

### 7. Forestay and Tack Information (please choose one)

**Roller Furler**

Manufacturer: \_\_\_\_\_

Number or Size: \_\_\_\_\_

*If you don't know the manufacturer or do not have a stock roller furler please provide the following information.*

Tackback TB: \_\_\_\_\_

Headback HB: \_\_\_\_\_

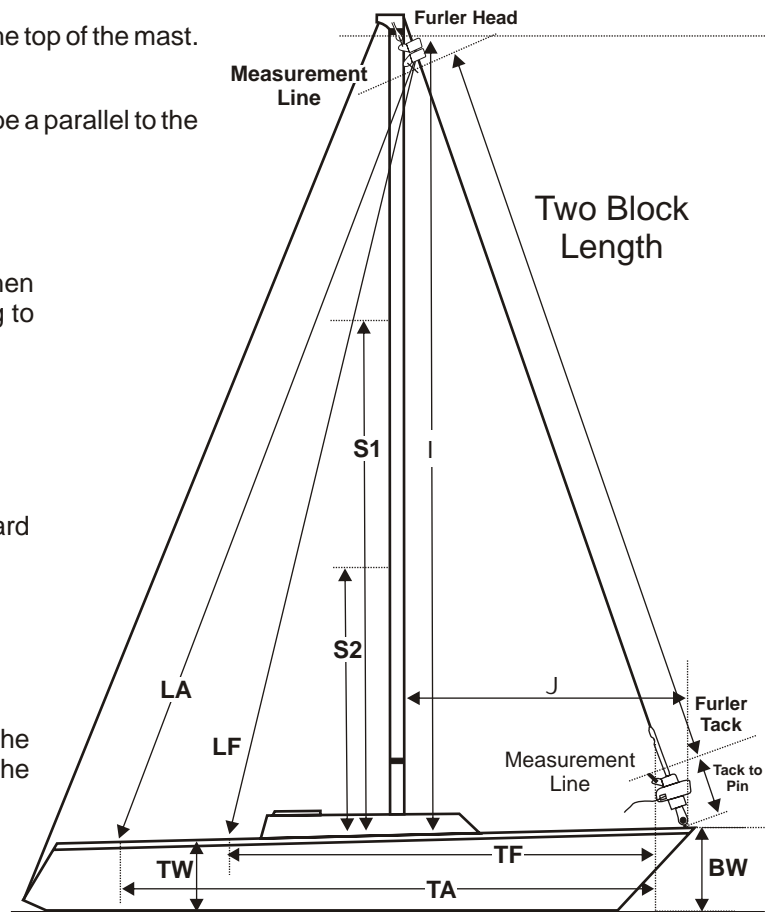
Feeder Height FH: \_\_\_\_\_

Tack to Pin TP: \_\_\_\_\_

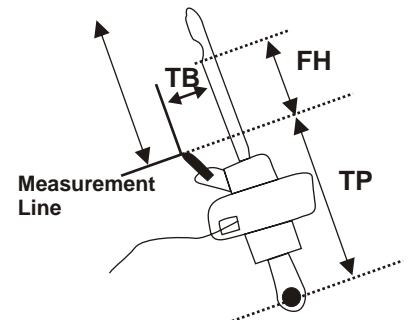
**Furling Drum direction do you roll your furling line**

Clockwise

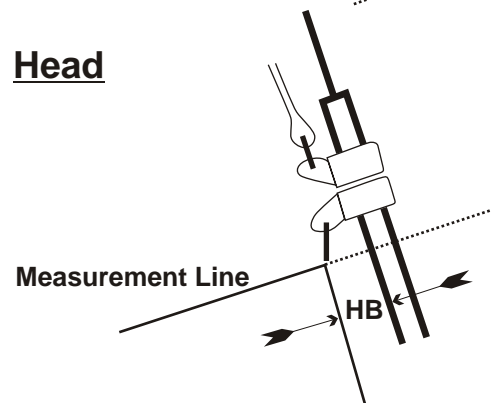
Counter Clockwise



### Tack



### Head



Customer: \_\_\_\_\_

Boat Type: \_\_\_\_\_

Sail # : \_\_\_\_\_

Color: \_\_\_\_\_

Sunbrella Color: \_\_\_\_\_