



## Genoa Measure Form

Please fill out completely to assure proper fit, contact your sail consultant with any questions.

1.  $I =$  \_\_\_\_\_  
Measure from the deck (not cabin top) to the genoa sheave at the top of the mast.

$J =$  \_\_\_\_\_  
Measure from the front of the mast to the headstay pin as it will be a parallel to the waterline

### 2. Two Block Luff

Lenght = \_\_\_\_\_

Measured by attaching a tape measure to your halyard, then raising the halyard to the two block hoist and then measuring to the line shown in the tack and head fittings diagram.

### 3. Max Leech Lenght

Leech Forward = \_\_\_\_\_

Leech Aft = \_\_\_\_\_

LF is measured from the top of the halyard hoist to the forward end of the genoa track and LA to the back of the genoa track.

### 4. Spreader Height and Lenght

$S1 =$  \_\_\_\_\_

$S2 =$  \_\_\_\_\_

Spreader heights are measured from the chain plates to the spreaders. This measurement can be taken while lowering the measure tape from parts 1 and 2.

### 5. Track Location

Track Forward = \_\_\_\_\_

Track Aft = \_\_\_\_\_

TF and TA should be measured from the base of the headstay to the end of the genoa track, and the base of the headstay to the forward end of the track respectively.

### 6. Distance to Waterline

BW = Distance from Bow to Waterline. \_\_\_\_\_

TW = Distance from Aft Tack to Waterline. \_\_\_\_\_

### 7. Forestay and Tack Information

(please choose one)

Slotted Foil Headstay (Tuff Luff, etc.)

Manufacturer: \_\_\_\_\_

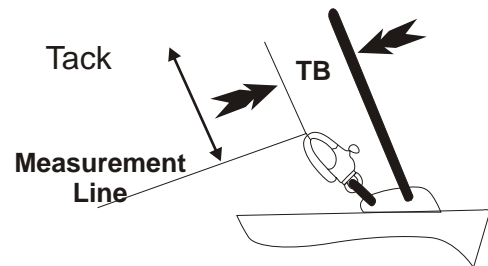
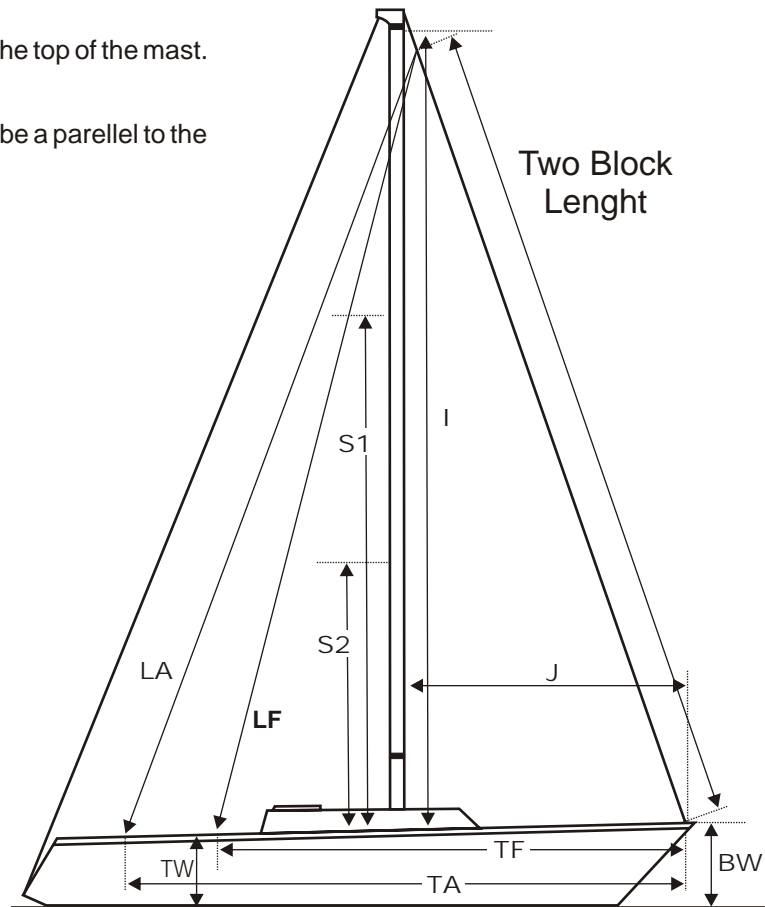
Number or Size: \_\_\_\_\_

Tackback TB: \_\_\_\_\_

Hanks or Snaps

Forestay Diameter: \_\_\_\_\_

Tackback TB: \_\_\_\_\_



(Please choose one)

Snap

Hook

Closed

Customer: \_\_\_\_\_

Boat Type: \_\_\_\_\_

Sail # : \_\_\_\_\_

Color: \_\_\_\_\_